



LED indicator

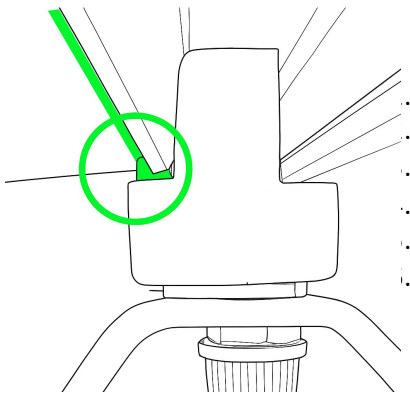
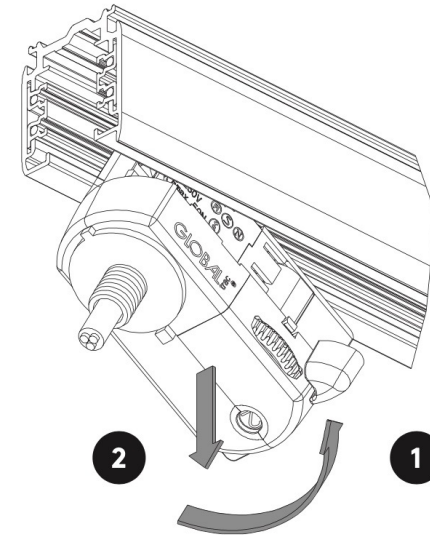
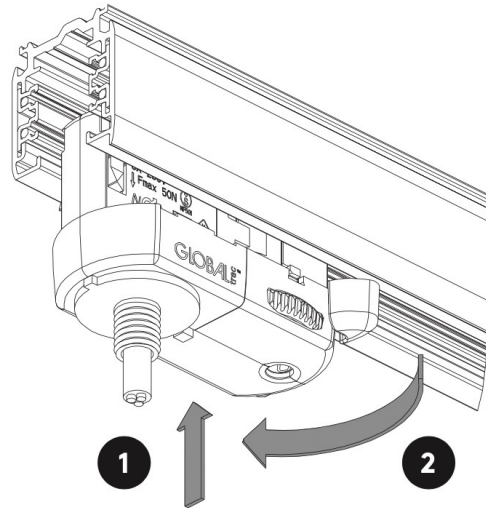
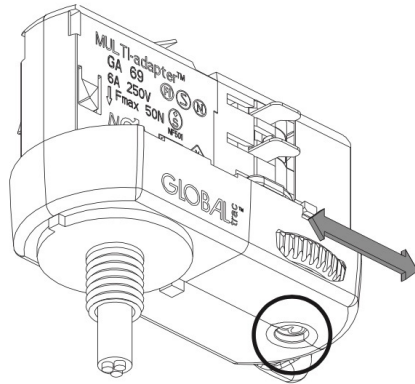
Top LED	B2 Transmitter	S2 Speaker	RX2 Receiver
Powering up	White flashing	White flashing	White flashing
System initiated	White solid*	White solid	White solid
Pairing	Blue flashing	Blue flashing	Blue flashing
Pairing completed	Blue solid	Blue solid	Blue solid
Paired no audio signal	Purple solid	Purple solid	Purple solid
Paired with audio signal	Green solid	Green solid	Green solid
factory Reset	Yellow light flashing**	Yellow light flashing	Yellow light flashing
Audio source (bottom LED B2)	MIC:red light Line in:green light Dante :white light		
Software updating	Red flashing	Red flashing	Red flashing
Stand by	Red solid	Red solid	Red solid

Bottom LED	B2 Transmitter	S2 Speaker	RX2 Receiver
Aux cable connected	Green solid		
Microphone active	Red solid		
Dante signal	White solid		

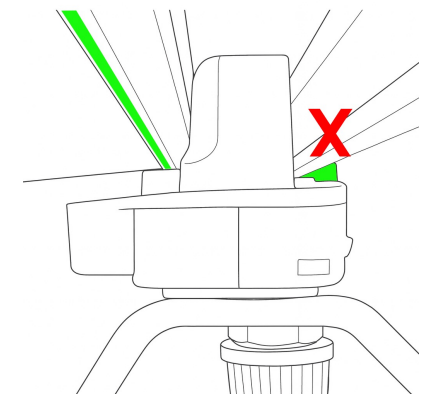
*If the system has been paired previously and the transmitter is indicating white LED, check the power on speaker / receiver
 The white LED looks light blue to some people. It's hard to make a clear white using RGB LED diode.

**The yellow color looks like green to some people.

Power track adapter

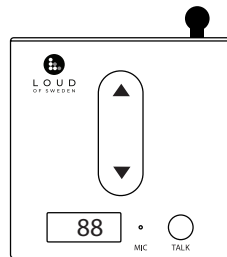


- Select power phase (this is depending on the electric instalment)
- Lock in to place, **make sure it's in the correct position** (for warranty to apply)
- Unlock to remove
- This is the default installation for the S2 speaker. It can be done on any height or angle.
- If power tracks are not available please use our mount CWM1.
- Make sure full power is in the phase of the track and not dimmable.



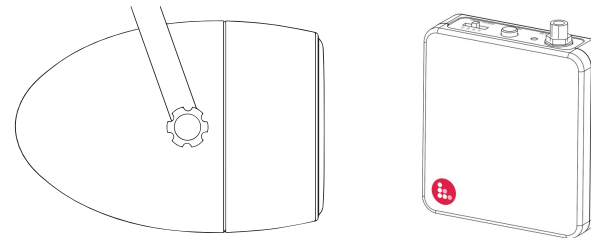
Factory reset

Base unit B2 & B2D



1. Press and hold pair and volume down for ten seconds
2. Yellow flashing LCD
3. Solid white meaning factory reset finished after reboot

Satellite speaker S2 & Receiver Rx2



1. Press and hold pair for ten seconds
2. Yellow flashing LCD
3. Solid white meaning factory reset finished after reboot